

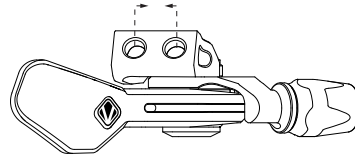


1 - trigLOC mounting

1.1.

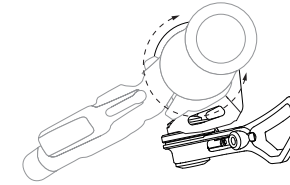
Install trigLOC select axial direction

Allen key 5mm



1.2.

Adjust tilting and tighten the clamp

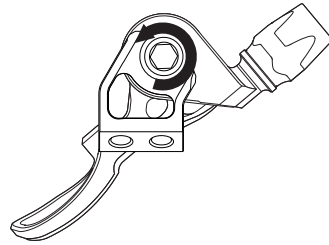


2 - trigLOC adjust trigger rotation

2.1.

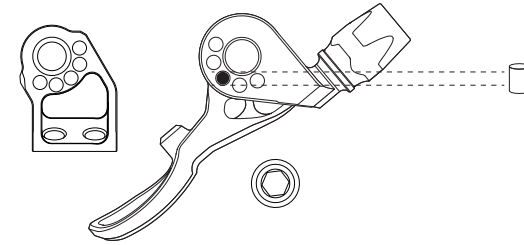
Loos upper bolt

Allen key 5mm



2.2.

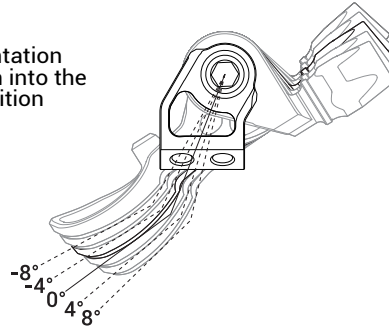
Take off SRAM trigger mount interface carefully



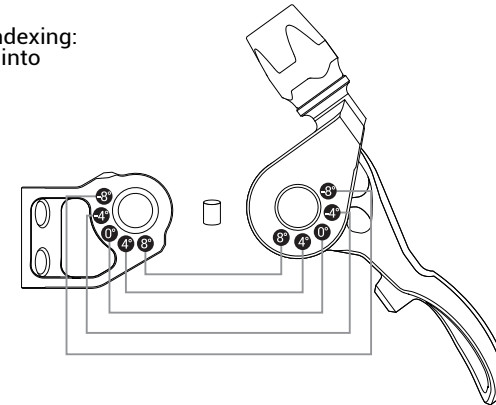
Attention:
Small loose part

2.3.

Define trigger orientation by inserting the pin into the corresponding position



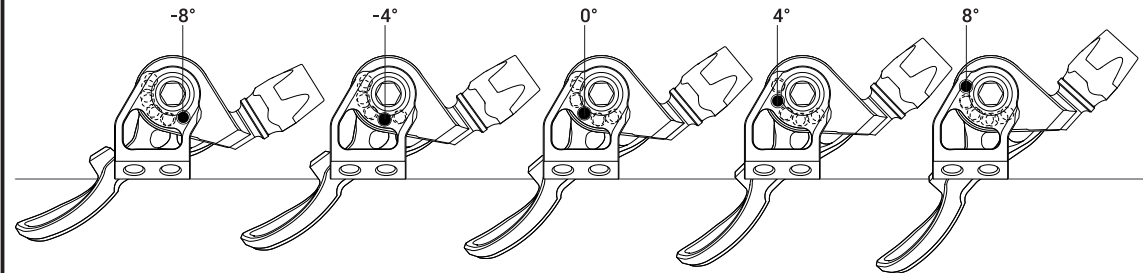
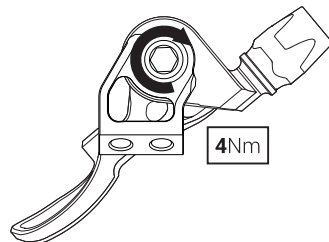
Please pay attention to the 4° indexing:
The pin has to be insert always into the opposed holes



2.4.

Tighten upper bolt

Allen key 5mm



Installation manual

trigLOC

Vecnum GmbH
Alte Bahnlinie 25
88299 Leutkirch
Germany

Communication
Phone +49(0)7567.182882
info@vecnum.com
www.vecnum.com

3 - Replace cable return spring (moveLOC dropper post only)

3.1.

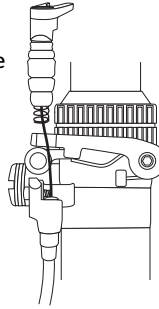
Loosen cable clamp at universal remote and remove lever

Allen key 2.5mm



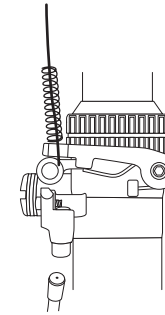
3.2.

Remove remote cable from dropper post



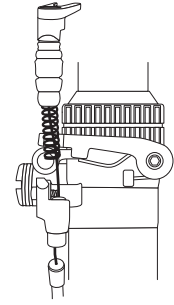
3.3.

Remove cable and existing cable return spring



3.4.

Install new cable return spring and cable into cable housing

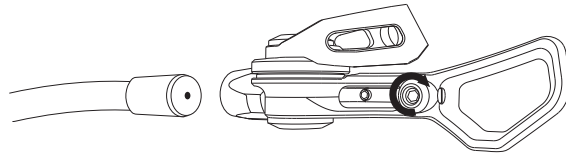


4 - Cable installation

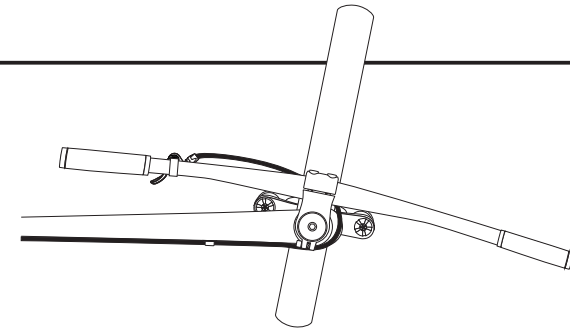
4.1.

Loosen cable clamp

Allen key 1.5mm

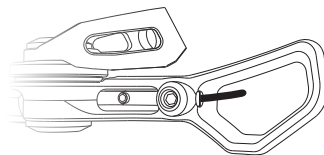


Pay attention to the steering angle

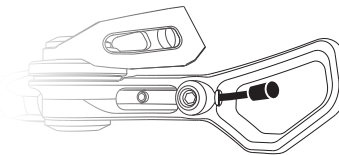


4.2.

Possible Installation options



Option 1:
Cable clamp at lever side. (moveLOC)

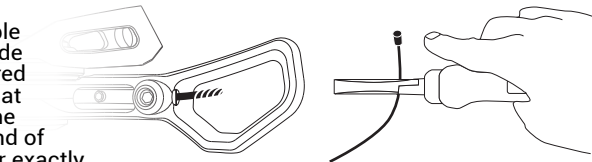


Option 2:
Cable clamp at dropper post side



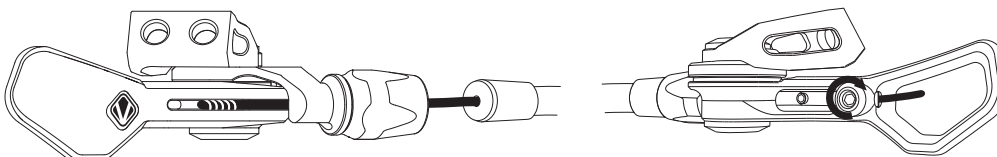
Advice:

Cut the cable at nipple side to the desired length in that way, that the soldered end of the cable fit exactly into the trigger paddle.



4.3.

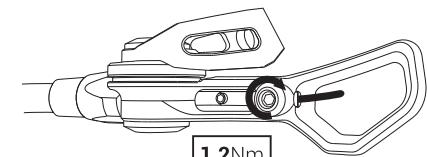
Insert cable



4.4.

Tighten clamping screw

Allen key 1.5mm



1.2Nm